

Još jedanput ono najvažnije:

- Peć se smije staviti u pogon tek nakon što je spojena na instalaciju centralnog grijanja i napunjena vodom.
- Prilikom loženja dodajte samo onu količinu goriva koja odgovara potrebnoj toplinskoj snazi u tom trenutku.
- Nakon dodavanja goriva regulator zraka dovoljno otvorite dok se vatra dobro ne razgori. Tek tada možete staviti regulator u položaj koji odgovara željenoj toplinskoj snazi.
- U potpunosti se pridržavajte tehničkih uputa.
- Peć postavite u prostoriju odgovarajuće veličine tako da potreba topline odgovara nazivnoj snazi peći.
- Preko noći potpuno zatvorite regulator da ujutro imate dovoljnu osnovnu žar, te da bez problema možete uspostaviti novu vatru. Za to morate imati ponovno suha i sitna drva.
- Kod čišćenja, tj. odstranjivanja pepela ostavite dovoljno pepela, da kompletna donja ploča, bude prekrivena u visini valovitih rebara. Tako omogućavate dugotrajno zadržavanje žari, te štite donju ploču.

Rezervni dijelovi - pribor: (Slika 6, stranica 56)

Poz. br.	Naziv dijela	Oznaka odljevka
103	PREDNJICA	VE-103
110	KOŠ	VE-110
111	POKLOPAC KOŠA	VE-111
112	STRANICA LOŽIŠTA DONJA	VE-112
120	ŠTITNIK STAKLA	VE-120
121	POSTOLJE	VE-121
122	KUPOLA	VE-122
123	VRATA	VE-123
124	REGULATOR	VE-124
125	OKVIR LADICE	VE-125
126	MASKA LADIČE	VE-126
128 B	ZAŠTITA PLAŠTA	VE-128
131	MASKA - KOTAO	VE-131
133	STRANICA LOŽIŠTA ZAČELJA	VE-133
200	DRŽAČ STAKLA	
202	DNO	
205	PEPELJARA	
212	LIM POSTOLJA	
217	LIM SEKUNDARNOG ZRAKA	
218	VODILICA PEPELJARE	
224	NOSAČ BOČNICE	
226	BOČNICA	
227	LIM REGULATORA	
229	ŠTITNIK ZAČELJA KOTAO	
230	POKLOPAC ŠTITNIKA ZAČELJA MARINA	
231	PLAŠT ZA MARINU	
235	GORNJA PLOČA KOTAO	
236	ZAŠTITA ARMATURE	
301	STAKLO	
439	PREDNJA IZOLACIJA	
440	GORNJA IZOLACIJA	
0-12	IZMJENJIVAČ TOPLINE	
01-000	RUČKA VRATA LOŽIŠTA	
04-000	ŠARKA I DRŽAČ ŠARKE	
10-000	OPRUGA VRATA - SKLOP	
	PRIBOR:	
801	ŽARAČ	
802	GREBILICA	
806	ZAŠTITNA RUKAVICA LOGO PLAMEN - CRVENA	

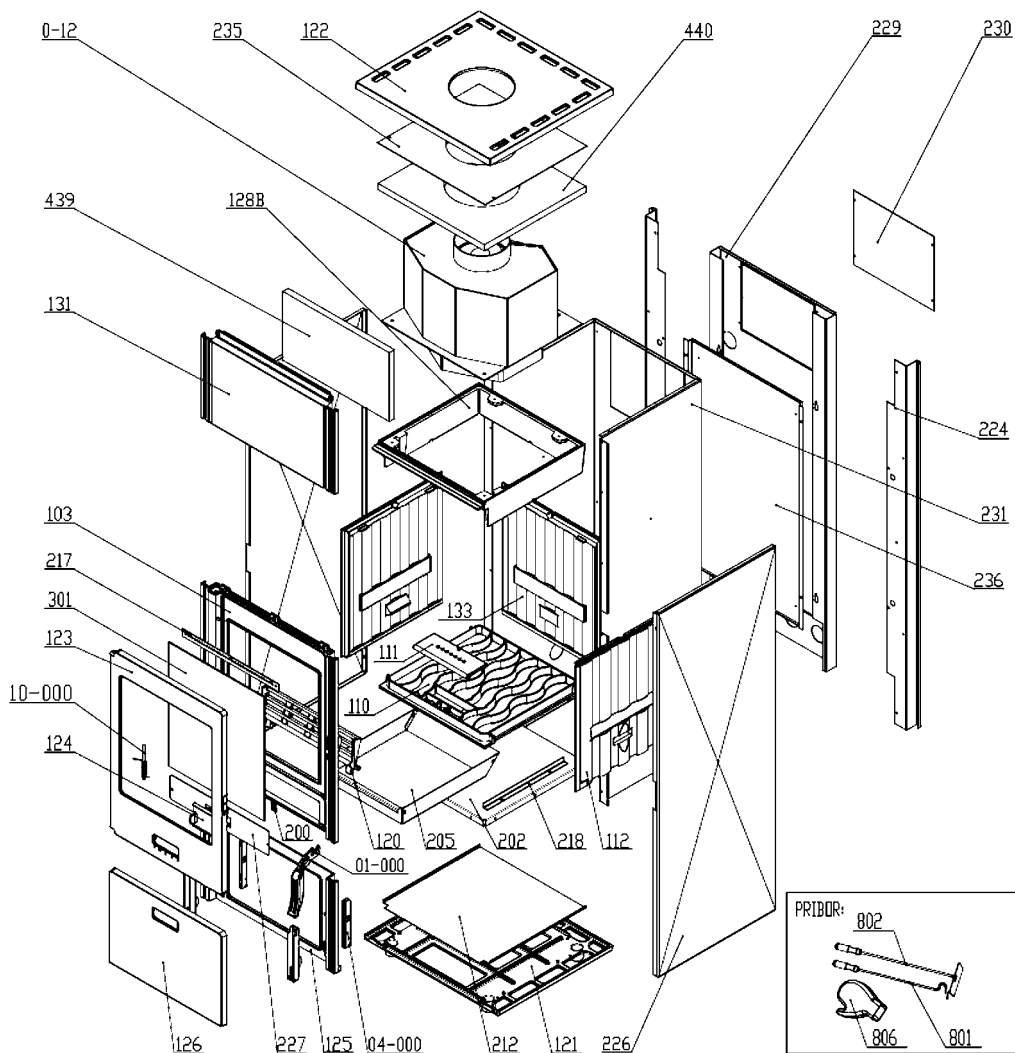
Remember:

- The unit shall not be put into operation before it is connected to the central heating system and filled with water.
- When reloading, make sure to load a quantity of fuel that is most suitable in respect of the actual heating requirements.
- After reloading, open the air supply control as required until bright fire has developed. Only then, set the air supply control to the position corresponding to the desired heating output.
- Strictly observe these Installation and Operating Instructions.
- Install the stove in a room of adequate size to ensure that the rated output of the stove meets the heating requirements of the room.
- Over the night, keep the air supply control closed to maintain the ember bed until the next morning to set the new fire easily with dry kindling.
- When cleaning, i.e. removing the ash, make sure that sufficient ash is left to cover the entire lower plate at the undulated ribs level and thus to ensure long-lasting ember and to protect the lower plate.

Spare parts and accessories (Figures 6, page 56):

ITEM NO.	DESCRIPTION	PART NO.
103	FRONT FRAME	VE-103
110	FIREBOX PAN	VE-110
111	FIREBOX PAN COVER	VE-111
112	FIREBOX WALL, LOWER	VE-112
120	GLASS SHIELD	VE-120
121	BASEPLATE	VE-121
122	DOME	VE-122
123	DOOR	VE-123
124	AIR SUPPLY CONTROL	VE-124
125	DRAWER FRAME	VE-125
126	DRAWER FRONT PANEL	VE-126
128 B	SHELL GUARD	VE-128
131	BOILER TRIM	VE-131
133	FIREBOX WALL REAR	VE-133
200	GLASS HOLDER	
202	BOTTOM	
205	ASH TRAY	
212	BASEPLATE SHEET	
217	SECONDARY AIR CONTROL PLATE	
218	ASH TRAY GUIDE	
224	SIDE PANEL SUPPORT	
226	SIDE PANEL	
227	AIR SUPPLY CONTROL SHEET PLATE	
229	REAR GUARD - BOILER	
230	REAR GUARD COVER - MARINA	
231	SHELL FOR MARINA	
235	TOP PLATE - BOILER	
236	REINFORCING STEEL PROTECTION	
301	GLASS	
439	FRONT INSULATION	
440	TOP INSULATION	
0-12	HEAT EXCHANGER	
01-000	FIREBOX DOOR HANDLE	
04-000	HINGE AND HINGE HOLDER	
10-000	DOOR SPRING – SET	
	ACCESSORIES:	
801	GRIP	
802	SCRAPER SET	
806	PROTECTIVE GLOVE LOGO PLAMEN - RED	

Rezervni dijelovi - pribor; Ersatzteile - Zubehör; Spare parts - accessories;
 Rezervní díly - příbor; Rezervni deli - pribor; Резервни делови - прибор:



08.2014.

Slika 6; Abbildung 6; Figure 6; Obrázek 6; Slika 6; Слика 6