

Installation instruction



51 52 52T
54 54T

Contura

Declaration of performance according
to Regulation (EU) 305/2011
No. C51-CPR-130620-SE-1

Contura

PRODUCT

Product type Stove lit with solid biofuels
Type designation Contura 51 / 51L / 52 / 52T
Manufacturing number See rating plate on the stove
Intended area of use Heating of rooms in residential buildings
Fuel Wood

MANUFACTURER

Name NIBE AB / Contura
Address Box 134, Skulptörvägen 10
SE-285 23 Markaryd, Sweden

CHECKS

According to AVCP System 3
European standard EN 13240:2001 / A2:2004
Test institute Rein-Ruhr Feuerstätten Prüfstelle, NB 1625,
has checked declared performance and issued test report no. RRF-40 07 1261

DECLARED PERFORMANCE

Essential characteristics	Performance	Harmonised technical specification
Reaction to fire	NPD	EN 13240:2001 / A2:2004
Minimum distance to combustible material	Rear: 150 mm Side: 500 mm Other safety distances according to the installation instructions	
Risk of falling embers	Pass	
Emissions from combustion	CO 0,06 %	
Surface temperatures	Pass	
Cleaning options	Pass	
Mechanical durability	Pass	
Emissions of hazardous substances	Pass	
Nominal output	5 kW	
Efficiency	81 %	
Flue gas temperature in connector at nominal output	295°C	

The undersigned is responsible for the manufacture and conformity with the declared performance.



Niklas Gunnarsson, Business area manager NIBE STOVES
Markaryd, 1st July 2013



Declaration of performance according
to Regulation (EU) 305/2011
No. C53-CPR-130620-SE-1

Contura

PRODUCT

Product type Stove lit with solid biofuels
Type designation Contura 53 / 54 / 54T
Manufacturing number See rating plate on the stove
Intended area of use Heating of rooms in residential buildings
Fuel Wood

MANUFACTURER

Name NIBE AB / Contura
Address Box 134, Skulptörvägen 10
SE-285 23 Markaryd, Sweden

CHECKS

According to AVCP System 3
European standard EN 13240:2001 / A2:2004
Test institute Rein-Ruhr Feuerstätten Prüfstelle, NB 1625,
has checked declared performance and issued test report no. RRF-40 07 1261

DECLARED PERFORMANCE

Essential characteristics	Performance	Harmonised technical specification
Reaction to fire	NPD	EN 13240:2001 / A2:2004
Minimum distance to combustible material	Rear: 150 mm Side: 470 mm Other safety distances according to the installation instructions	
Risk of falling embers	Pass	
Emissions from combustion	CO 0,06 %	
Surface temperatures	Pass	
Cleaning options	Pass	
Mechanical durability	Pass	
Emissions of hazardous substances	Pass	
Nominal output	5 kW	
Efficiency	81 %	
Flue gas temperature in connector at nominal output	295°C	

The undersigned is responsible for the manufacture and conformity with the declared performance.



Niklas Gunnarsson, Business area manager NIBE STOVES
Markaryd, 1st July 2013



A warm welcome to Contura

A warm welcome to the Contura family. We hope you will get a great deal of pleasure from your new stove. As a new owner of a Contura stove, you have secured a product with timeless design and long service life. Contura also has a combustion process that is both environmentally friendly and efficient, for the best heat production.

Read through these installation instructions carefully before installation. Read how to best light your stove in the lighting instructions.

List of Contents

General	53
Installation distance to walls and ceiling	54
Removing the loose components	56
Supply of combustion air	58
Adjusting and connecting C51	59
Adjusting and connecting C52/C52T	60
Adjusting and connecting C54/C54T	62
Connection to the chimney	64

NOTE:

Report the installation of a stove to your local authority.

The owner of the house is personally responsible for ensuring compliance with the mandatory safety requirements and must have the installation approved by a qualified inspector. Your local chimney sweep must also be informed of the installation, as this will affect the routines for regular chimney-sweeping services..

WARNING!

The stove becomes very hot

During operation, certain surfaces of the stove become very hot and can cause burn injuries if touched. Also, take heed of the strong heat radiated through the door glass. Placing flammable material closer than the safe distance indicated may cause a fire. Smoulder combustion can cause quick gas ignition with the risk of damage to property and personal injury..

General

This manual contains instructions about how the Contura 50 series must be assembled and installed.

To guarantee the function and safety of the stove we recommend that it is installed by a professional. Our Contura agents can recommend a suitable installer.

Instructions for lighting and use are also supplied with the stove. Read them carefully and keep them safe for future use.

The stove meets with the requirements which allow it to be connected to a chimney with gas temperatures of 350°C, the external connection diameter is Ø150 mm. Supply air from the open air should be used as combustion air.

Technical data

Output	3-7 kW
Nominal output	5 kW
Efficiency level	79%

Model	51	52	52T	54	54T
Weight (kg)	128	135	172	149	190
Width (mm)	495	495	495	550	550
Depth (mm)	420	420	420	455	455
Height (mm)	825	825	875	825	875

The connection's external diameter is Ø150 mm.
 Type approved in accordance with:
 European standard EN-13240
 Swedish environmental and quality marking,
 P-marking cert. no. 22 03 16
 (N) NS 3059, Cert.nr SINTEF 110-0257
 (DE/A) DINplus, Art. 15a B-VG RRF-40 07 1261

Building application

Before installing a stove or erecting a chimney it is necessary for you to apply for planning permission from your local authority. Ask your local authority for advice regarding building regulations and the application.

Structural support

Check that the wood joists are strong enough to bear the weight of the stove and chimney. The stove and chimney can usually be placed on a normal wooden joist in a single occupancy house if the total weight does not exceed 400 kg.

Hearth plate

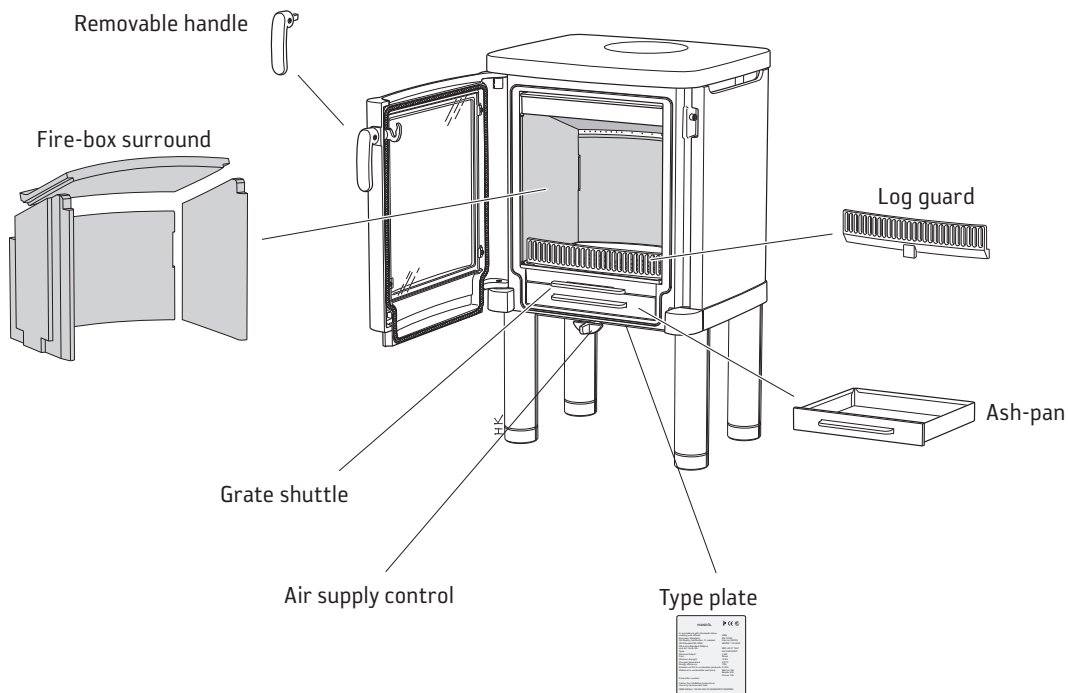
To protect the floor from any embers the stove must be placed on a hearth plate. If the floor under the stove is flammable, it must be protected by a non-flammable material which covers at least 300 mm to the front and 100 mm on each side.

The hearth plate can consist of natural stone, concrete or 0.7 mm metal. As an accessory, the hearth plate is available in painted steel.

Chimney

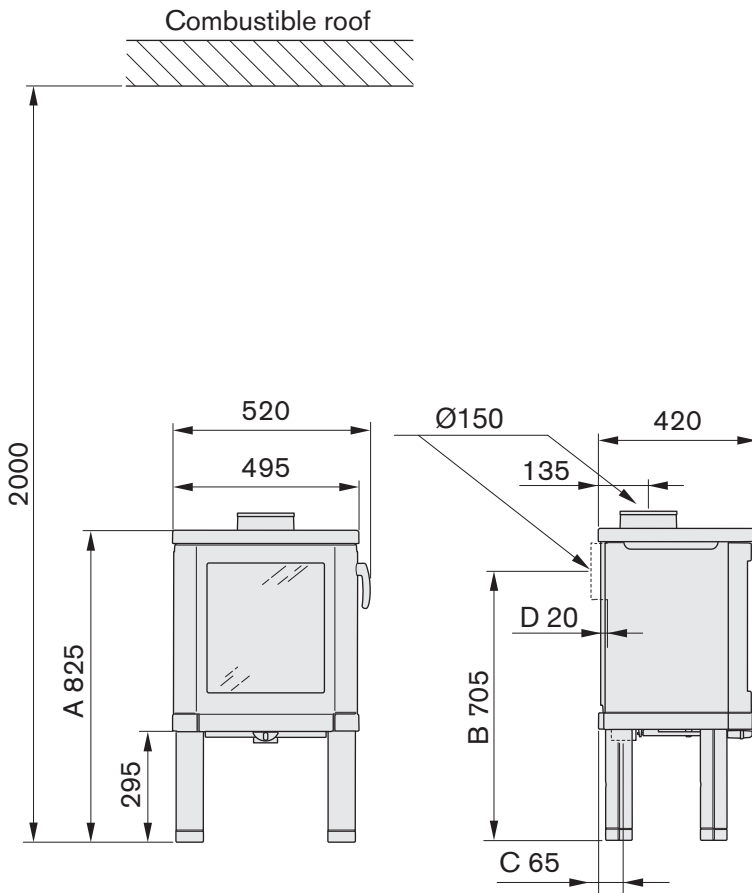
The stove requires a draft in the chimney of at least -12 Pa. The draught is affected both by the length and area of the chimney, and by how well sealed it is. Minimum recommended chimney length is 3.5 m and a suitable cross section area is 150-200 cm² (140-160 mm in diameter). Carefully check that the chimney is sealed and that there is no leakage around soot hatches and flue connections. Maximum chimney weight loading on the stove 120 kg.

Note that a flue with sharp bends and horizontal routing reduces the draught in the chimney. Maximum horizontal flue is 1 m, on the condition that the vertical flue length is at least 5 m. It must be possible to sweep the full length of the flue and the soot hatches must be easily accessible.



Installation distance to walls and ceiling

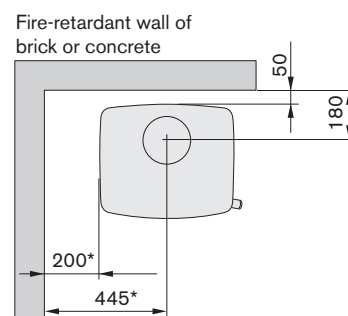
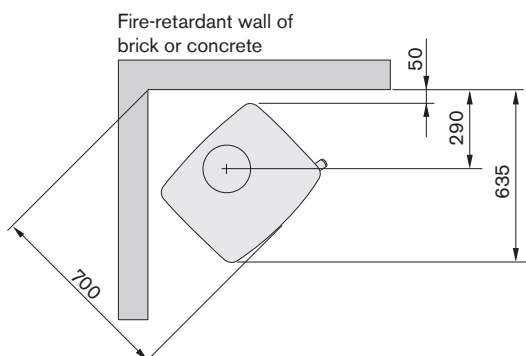
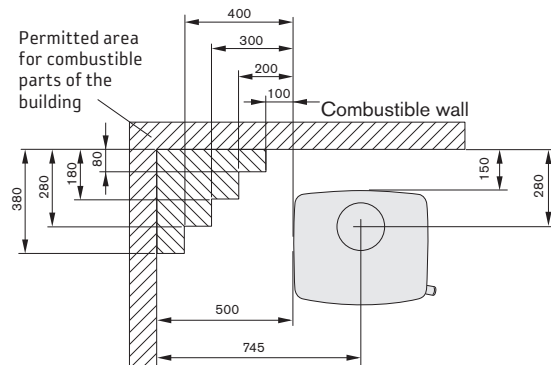
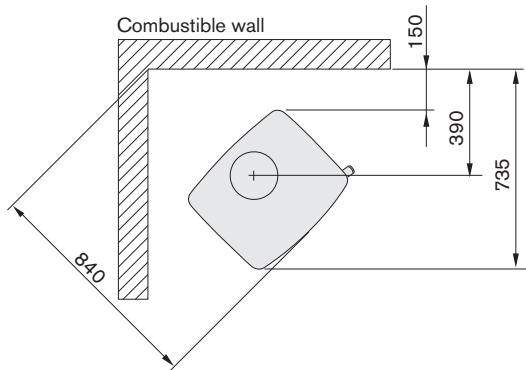
C51, C52 and C52T



Position the stove on a hearth plate and check that the installation distances given in the diagrams are met. The minimum distance between the stove opening and combustible parts of the building or décor must be at least 1 m.

When top connecting a steel flue please refer to the relevant manufacturer's installation instructions. Observe the safety distances to combustible material that steel flues require.

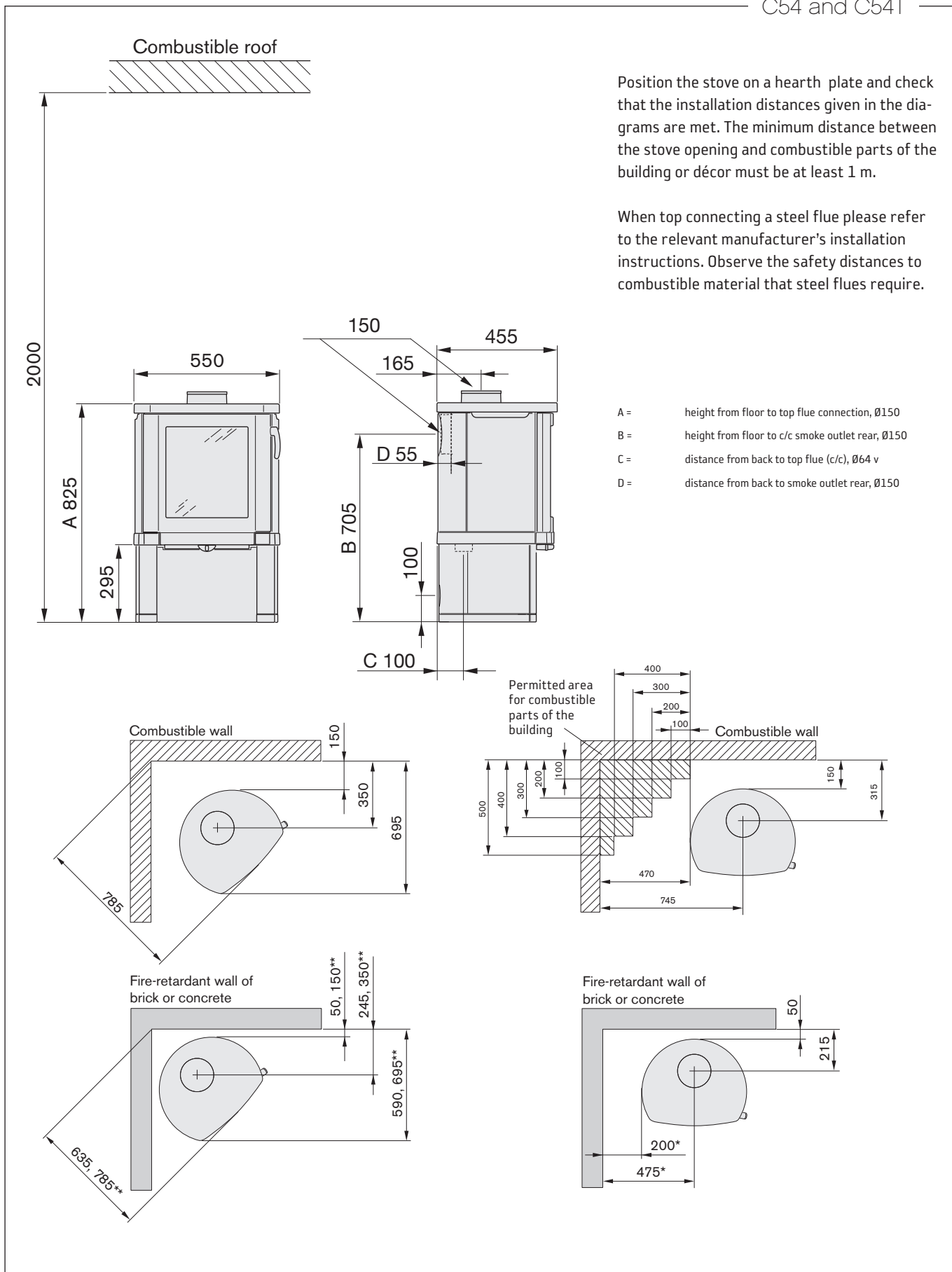
- A = height from floor to top flue connection, Ø150
- B = height from floor to c/c smoke outlet rear, Ø150
- C = distance from back to c/c air inlet, Ø64
- D = distance from back to smoke outlet rear, Ø150



*To prevent the discolouring of painted fire walls, we recommend a side distance the same as for the combustable wall.

Installation distance to walls and ceiling

C54 and C54T

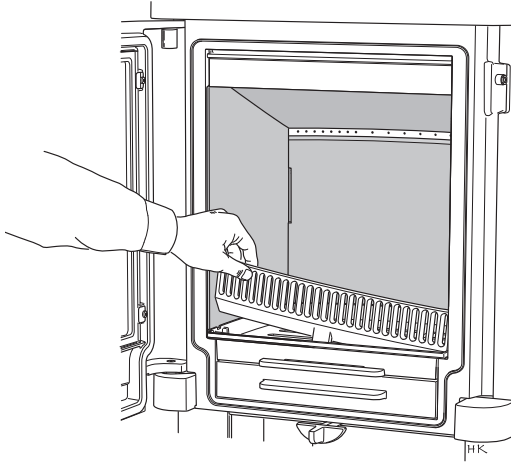


* To prevent the discolouring of painted fire walls, we recommend a side distance the same as for the combustible wall.

** Minimum installation distance when using Contura 50 base plate, applies when combustion air is obtained from the room and when connecting outdoor air through the floor.

If outdoor air is NOT to be connected through the floor, the stove can be placed 50 mm from fire walls if Nibe's tear-drop shaped base plate is used.

Removing the loose components

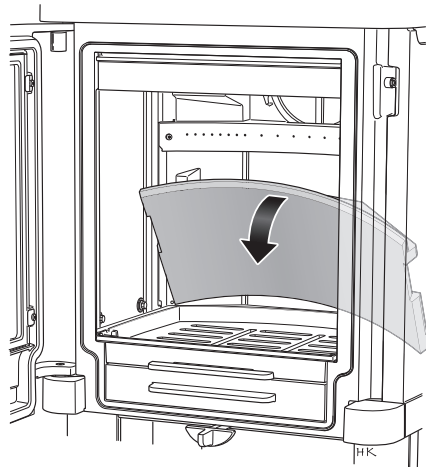
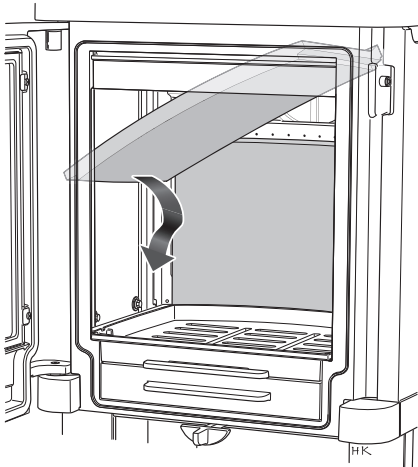
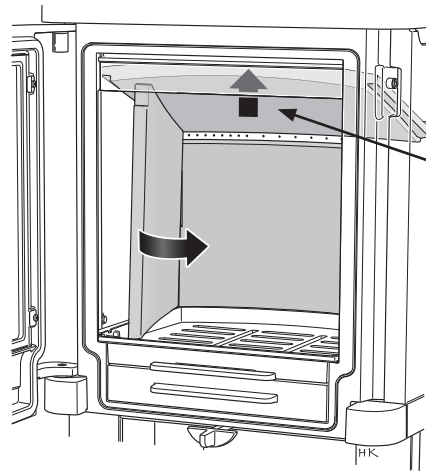
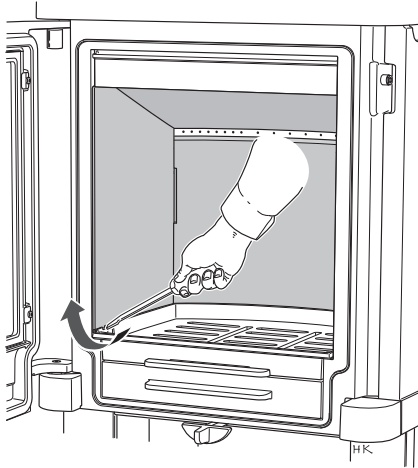


Fire bars

Lift the fire bars straight up, clean the ash from the guide groove in the stove base plate before repositioning it in position.

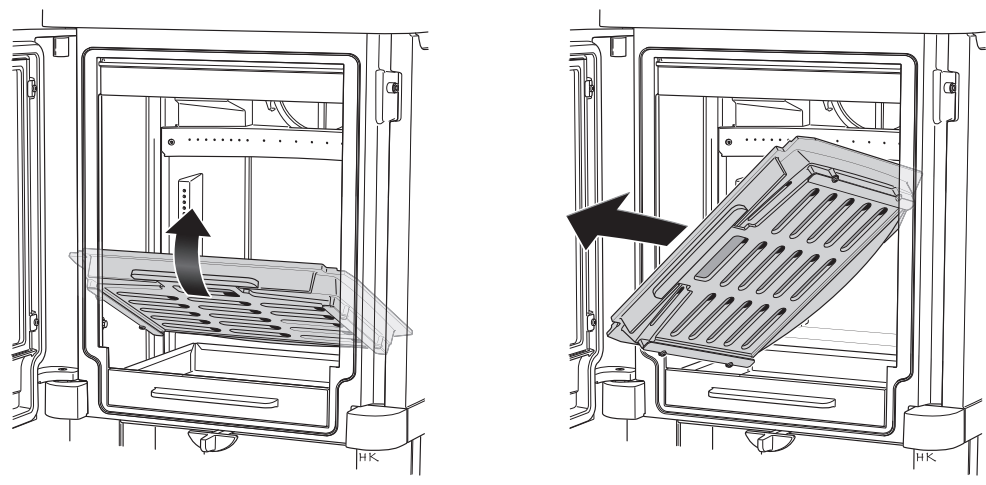
Fire box surround

When sweeping, the smoke baffle must be lifted out, this can be done when one side has been dismantled.



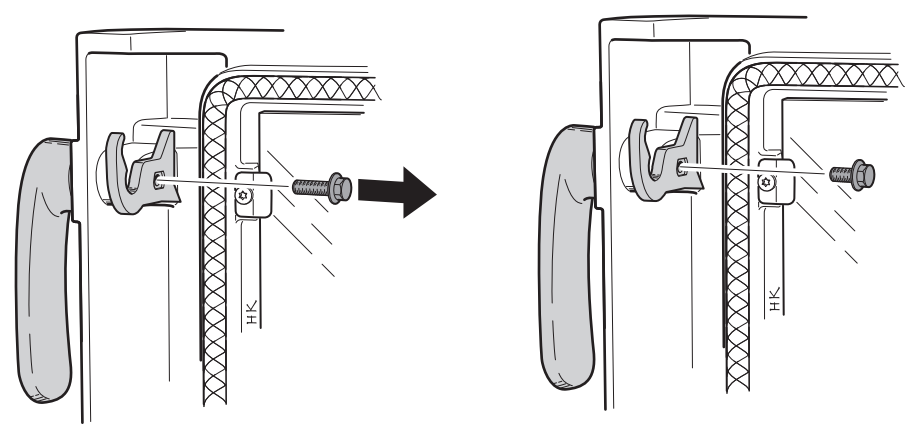
Stove base plate

The stove base plate is lifted out when all the cladding has been removed.



Fixed or removable handle

The stove handle is fitted on delivery. To make the handle removable, replace the screw for the lock hook with the shorter screw supplied.



Supply of combustion air

Combustion air can be provided directly via a duct from outside, or indirectly via a vent in the outer wall of the room where the stove is to be placed. The amount of combustion air used for combustion is approximately 25 m³/h.

Some installation alternatives are shown to the right. On certain models, C54 and C54T, when supply air is retrieved via walls behind, there is a knock out for inserting the combustion air hose, see figure below.

The air duct connection on the stove has an external diameter of Ø64 mm.

In hot areas the duct should be insulated with 30 mm mineral wool covered with a moisture inhibitor (plastic). It is important that the lead-in between the pipe and the wall (or floor) is sealed using jointing compound. When duct routing for further than 1 m the pipe diameter must be increased to 100 mm and a correspondingly larger wall vent must be selected.

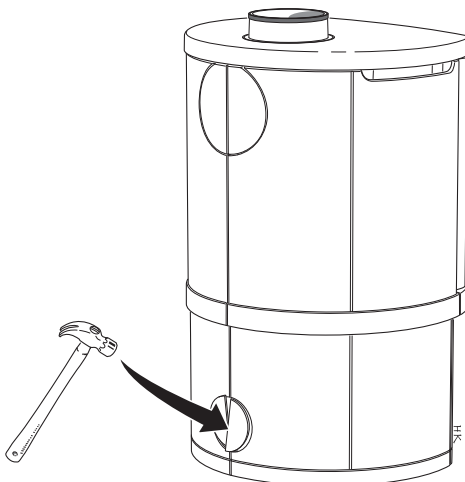
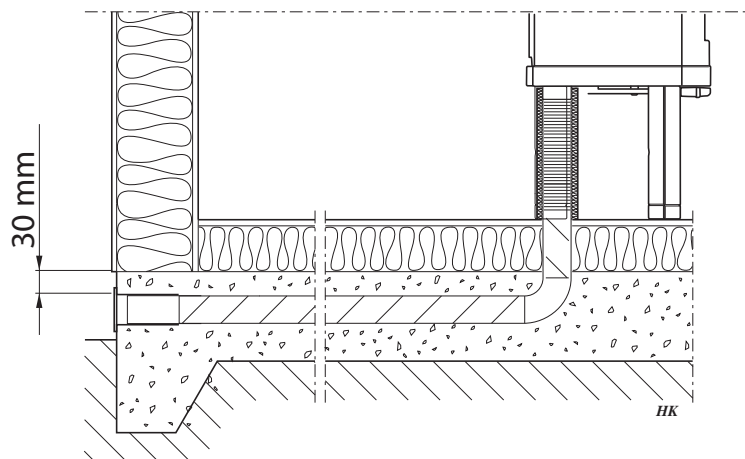
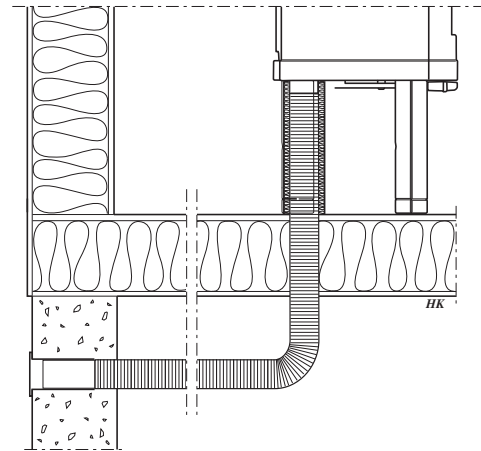
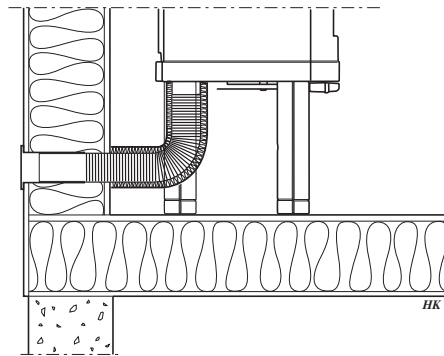
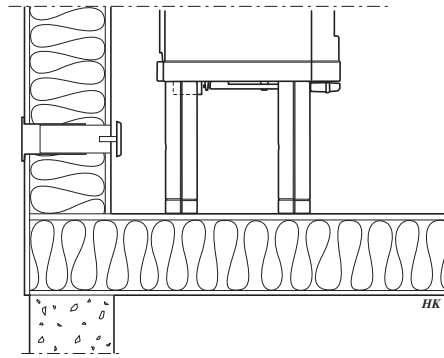
A 1 m length of condensation insulated ducting for combustion air is available as an accessory.

Cover for C51, C52 and C52T

Ducting to cover the outdoor air connection hose is available (accessory). The duct can be installed after the stove is installed.

Knock out on C54 and C54T

To insert the combustion air hose, the knockout in the base is tapped out using a hammer, remember to protect the floor.

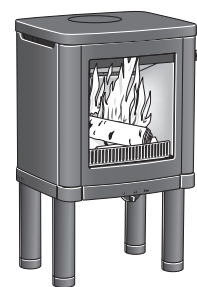


Adjusting and connecting

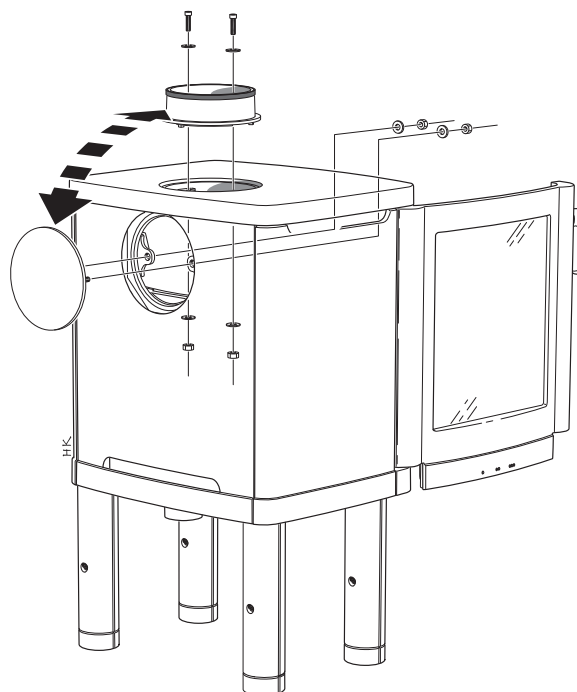
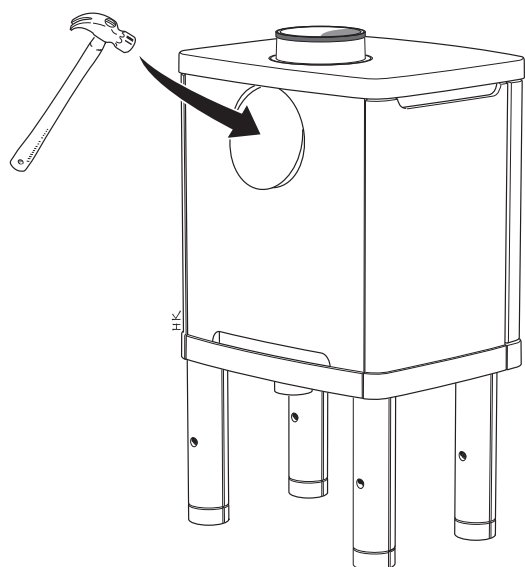
Preparations before rear connection

The stove is prepared for top connection on delivery. When connecting from the rear, the cover and connection must be swapped around.

- Dismantle the cladding as instructed previously, see page 56.
- Tap out the knock out in the stove's back panel, remember to protect the floor.
- Then unscrew both the connector and the cover.
- Switch places and reinstall the screws.

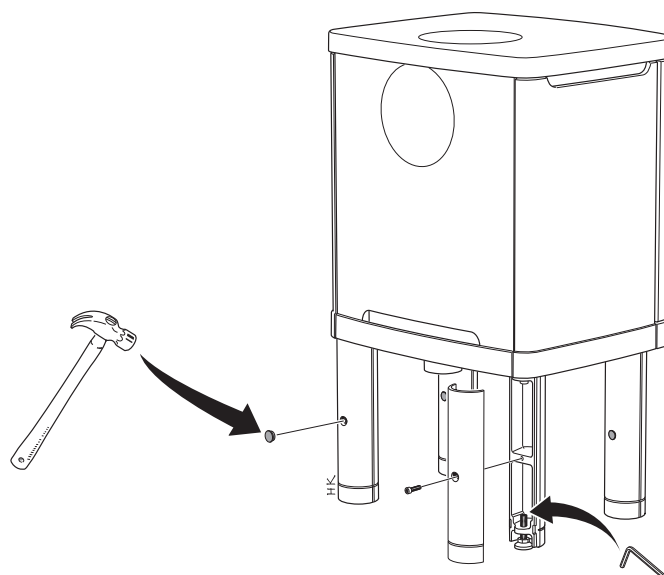


Contura 51



Adjusting the stove

- Position the stove on the hearth plate.
- Uninstall the rear sections of the legs.
- Adjust the height of the four adjustable feet until the stove is horizontal.
- When the rear sections have been reinstalled, cover the screws with the plastic plugs supplied.

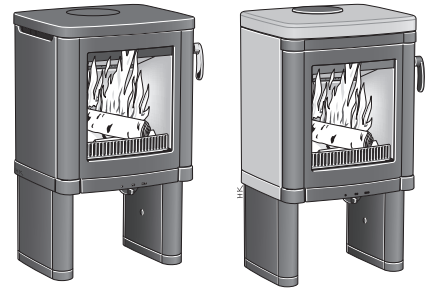


Adjusting and connecting

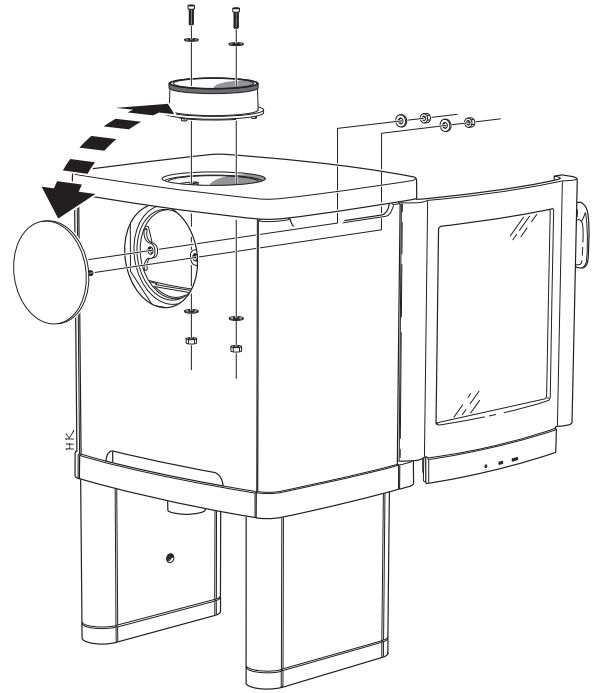
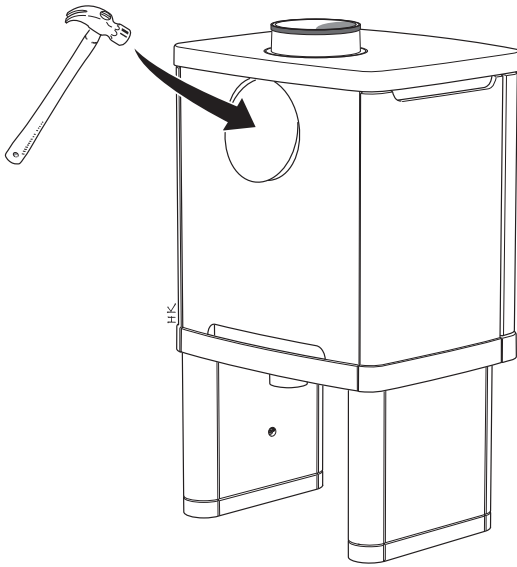
Preparations before rear connection

The stove is prepared for top connection on delivery. When connecting from the rear, the cover and connection must be swapped around.

- Dismantle the cladding as instructed previously, see page 56.
- Tap out the knock out in the stove's back panel, remember to protect the floor.
- Then unscrew both the connector and the cover.
- Switch places and reinstall the screws.

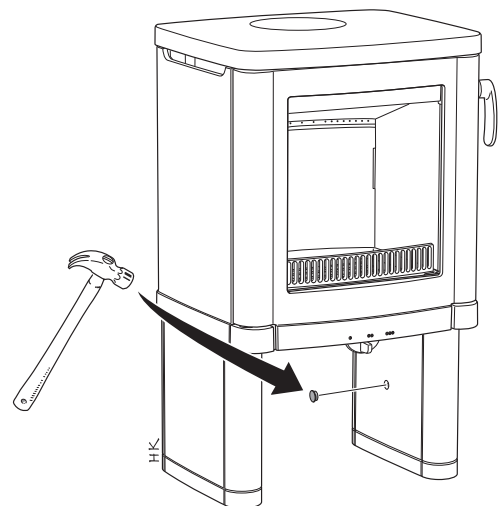
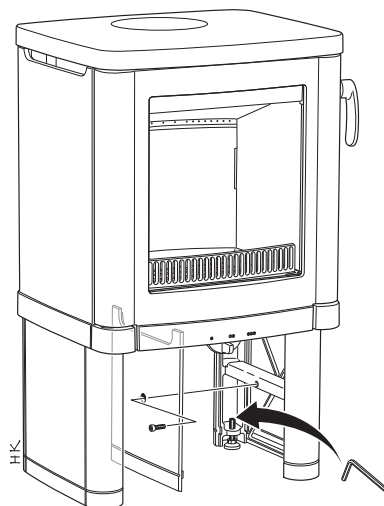


Contura 52 / 52T



Adjusting the stove

- Position the stove on the hearth plate.
- Uninstall the inner covers of the legs.
- Adjust the height of the four adjustable feet until the stove is horizontal.
- When the inner sections have been reinstalled, cover the screws with the plastic plugs supplied.

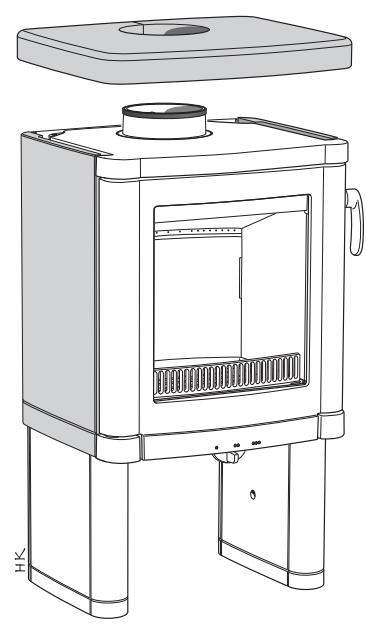
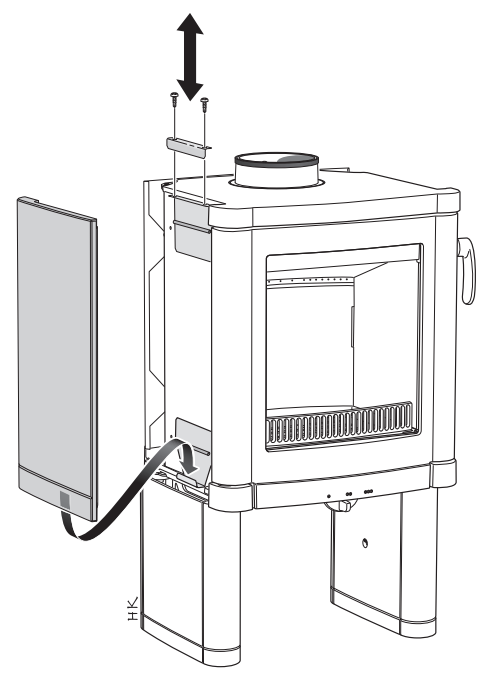


Soapstone installation Contura 52T

**Handle soapstone with care, the edges are susceptible to damage.
Soapstone is most easily cleaned using a cloth dampened with acetone.**

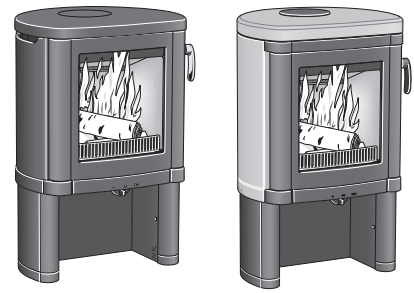
- Remove the upper securing plate.
- Position with the decorative groove downward so that the turned up edge holds the soapstone in place.
- Install and secure the upper securing plate so that panel edge locks the soapstone.
- Do the same on the opposite side and then position the soapstone cap.
- When connecting from behind, position the cover provided over the hole for the top connection.

A hotplate is available as an accessory for installation in the hole in the top plate.

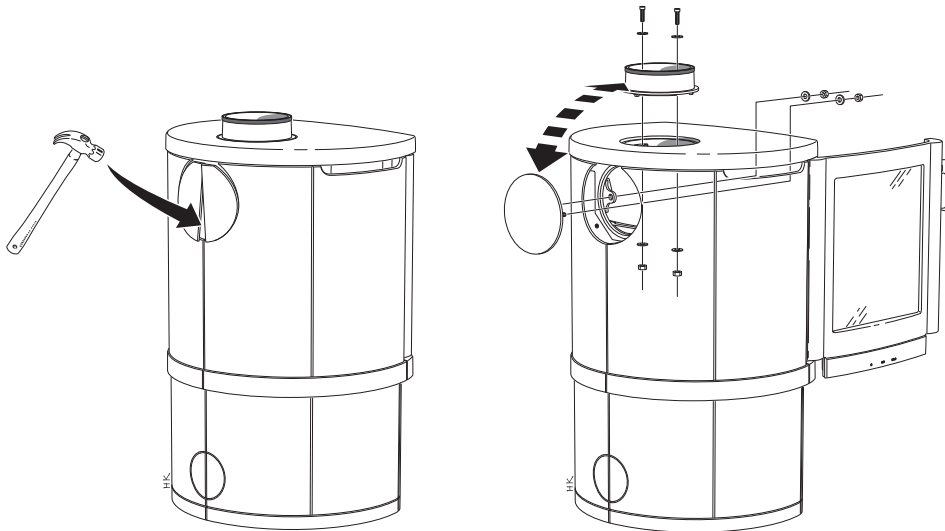


➤➤➤ Continue with the section "Connecting to the chimney" on page 64.

Adjusting and connecting



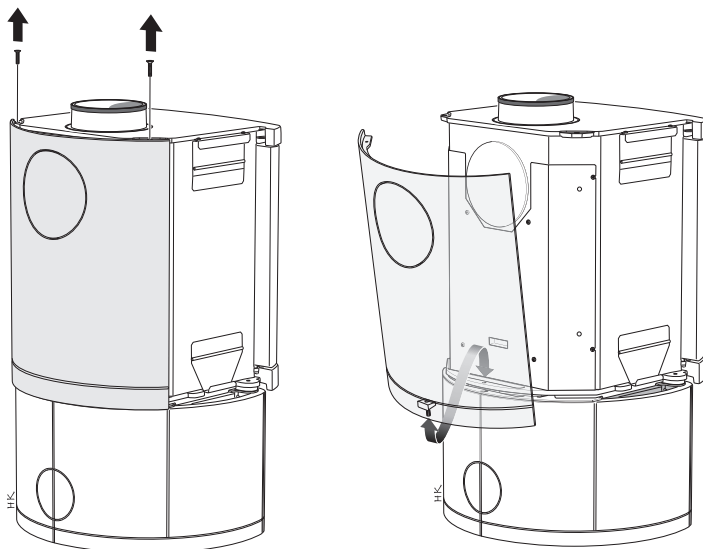
Contura 54 / 54T



Preparations before rear connection C54

The stove is prepared for top connection on delivery. When connecting from the rear, the cover and connection must be swapped around.

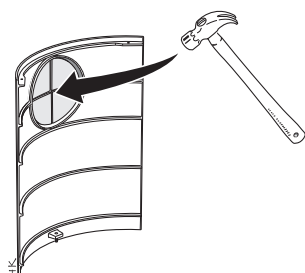
- Dismantle the cladding as instructed previously, see page 56.
- Tap out the knock out in the stove's back panel, remember to protect the floor.
- Then unscrew both the connector and the cover.
- Switch places and reinstall the screws.



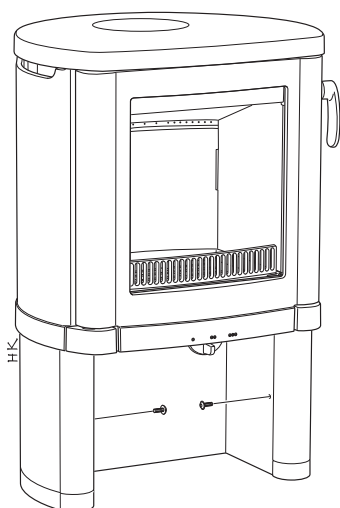
Preparations before rear connection C54T

The stove is prepared for top connection on delivery. When connecting from the rear, the cover and connection must be swapped around.

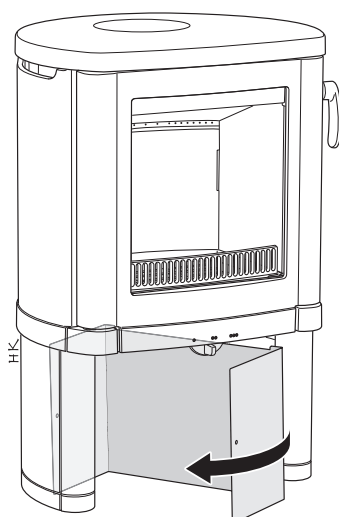
- Unscrew both the upper screws and lift off the back.
- Tap out the knock out in the stove's back panel, tap from the inside of the back, remember to protect the floor.
- Then unscrew both the connector and the cover.
- Switch places and reinstall the back.



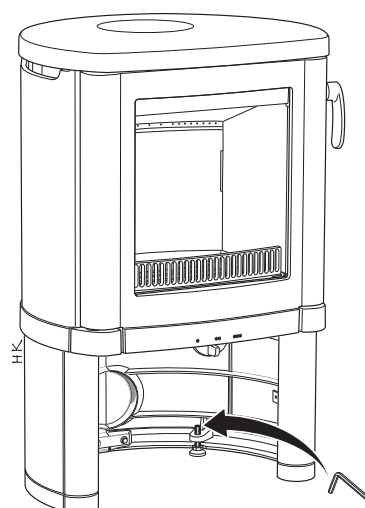
Adjusting the stove



Position the stove on the hearth plate.
Unscrew the cover plate.



Twist the cover plate as indicated by the
arrow.

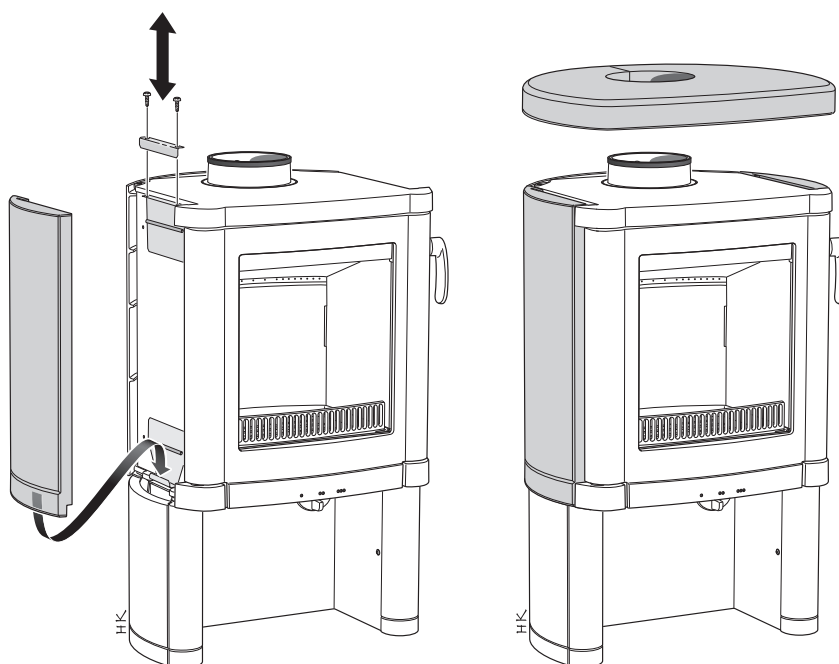


Adjust the adjustable feet until the
stove is horizontal and then reinstall
the cover plate.

Soapstone installation C54T

Handle soapstone with care, the edges are susceptible to damage. Soapstone is most easily cleaned using a cloth dampened with acetone.

- Remove the upper securing plate.
- Position with the decorative groove downward in the lower soapstone holder so that the turned up edge holds the soapstone in place.
- Install and secure the upper securing plate so that panel edge locks the soapstone.
- Do the same on the opposite side and then position the soapstone cap.
- When connecting from behind, position the cover provided over the hole for the top connection.



A hotplate is available as an accessory for
installation in the hole in the top plate.



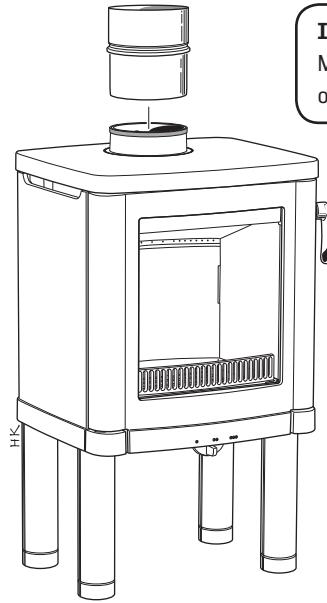
Continue with the section "Connecting to the chimney" on page 64.

Connection to the chimney

After the stove has been adjusted and positioned according to the installation distances, connection to the chimney is carried out. Select one of the following alternatives.

Top connection to the steel flue

Press the start pipe onto the connection, continue the chimney installation according to the chimney installation instructions.

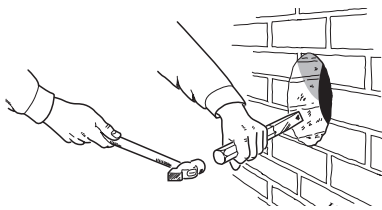


Important!

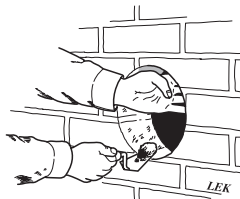
Maximum chimney weight loading on the stove 120 kg.

Rearwards to a masonry chimney

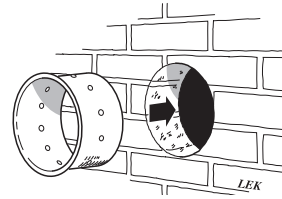
Connection to a masonry chimney can be the back or the top of the stove.



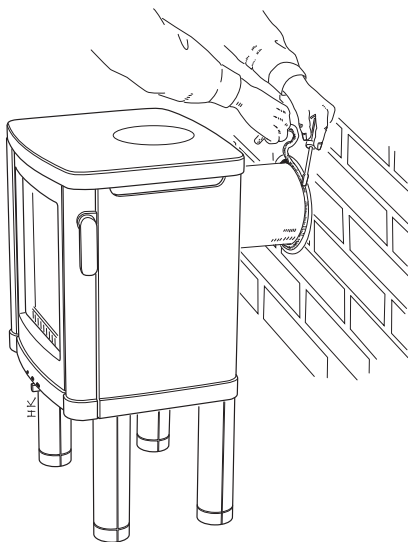
Mark out centre for making a hole in the wall to the flue. Check that the connection height in the chimney breast corresponds to the height of the connection pipe from the stove.



Cut a hole approximately 180 mm in diameter.



Then cement in a wall connector with fire proof mortar (not supplied). Let the mortar dry before the stove is connected to the chimney.



Install the connection pipe on the connection. Make sure that the gasket does not work loose from its position. Caulk between the connection pipe and the connector in the wall using caulking rope. If further sealing material is required, heat-resistant sealant may be used.

Contura

NIBE AB · Box 134 · SE-285 23 Markaryd · Sweden
www.contura.eu

Contura reserves the right to change colours, materials, dimensions and models at any time without special notice. Your dealer can give you the most up to date information. Stoves shown in brochures may have optional extras.